

# Technical data sheet

## Clamp clip, single, plastic pressure trough, FT

Item number: 1163124



Suitable for all C profile rails with slot width 11–12 mm; at least 6.5 mm clear internal height and at least 18.5 mm clear internal width.  
Clip and bolt made of hot-dip galvanised steel.  
Polypropylene pressure trough, halogen-free, colour light grey RAL 7035.  
Version with welding and/or locknuts for use under difficult circumstances and for shake protection on request.



**St** Steel

**FT** Hot-dip galvanised

### Master data

Item number	1163124
Type	2056N 12 FT
Description 1	Clamp clip
Manufacturer	OBO
Dimension	8-12mm
Material	Steel
Surface	Hot-dip galvanised
Surface standard	DIN EN ISO 1461
Smallest sales unit	100
Unit of quantity	Piece
Weight	2.5 kg
Weight unit	kg/100 pc.

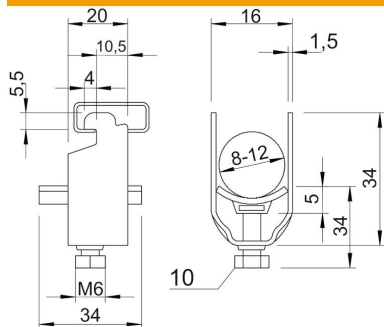
# Technical data sheet

## Clamp clip, single, plastic pressure trough, FT

Item number: 1163124



### Dimensions



Dimension A	20 mm
Dimension B	16 mm
Dimension C	34 mm
Dimension G (mm)	M6
Dimension H	34 mm
Dimension L	34 mm
Dimension t	1.5 mm
Dimension x	5 mm

### Technical data

Number of cables/pipes	1
for 1 cable H	34 mm
for 1 cable L	34
for 2 cable H	49 mm
for 2 cable L	47 mm
for 3 cable H	65 mm
for 3 cable L	47 mm
for rail with slot width (with interval), max.	12 mm
for rail with slot width (with interval), min.	11 mm
Halogen-free	yes
Max. Tightening torque	3 Nm
With plastic trough	yes
With metal trough	no
Mounting type	Profile rail
Impact-resistant	no
Clamping range D, max.	12 mm
Clamping range D, min.	8 mm
Surface addition	hot galvanised
Material addition	Steel
With counter-trough	no
Material of trough	Plastic
Material quality of trough	Polypropylene