

Technical data sheet

PV system solution, type 2, with MC4 connector and switch disconnector for inverter with 1 MPP tracker, 1,000 V DC
Item number: 5088501



System solution, type 2, with MC4 connector and switch disconnector for inverter with 1 MPP tracker, 1,000 V DC

- Varistor arrester, connectable with cut-off unit in error-resistant Y circuit to VDE 0100-712 (50539-12)
- Low DC voltage protection level: < 4.0 kV (Voc max = 1,000 V DC with V20-C/0-500PV)
- Switch-disconnector (1,000 V; 8 A) for safe switch-off of the DC string line
- One PV string input (MC4 plug connector) at an MPP input, up to 30 A DC per terminal
- Pre-mounted in polycarbonate housing (IP66), UV-resistant for use outside

For DC protection of the inverter in photovoltaic systems.

If there is a danger of condensation forming through wind, ice, temperature or sunlight, further measures may be necessary!



PC Polycarbonate

Master data

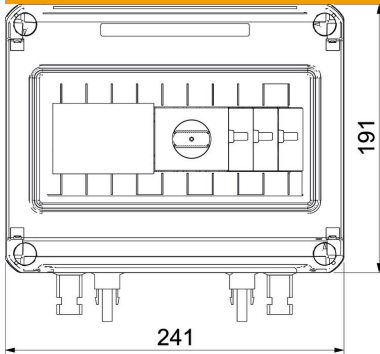
Item number	5088501
Type	PKV-C1000ST100
Description 1	PV system solution in housing
Description 2	1 string to 1 WR with switch
Manufacturer	OBO
Dimension	1000V DC
Colour	Light grey; RAL 7035
Material	Polycarbonate
Smallest sales unit	1
Unit of quantity	Piece
Weight	180 kg
Weight unit	kg/100 pc.

Technical data sheet

PV system solution, type 2, with MC4 connector and switch disconnector for inverter with 1 MPP tracker, 1,000 V DC
Item number: 5088501

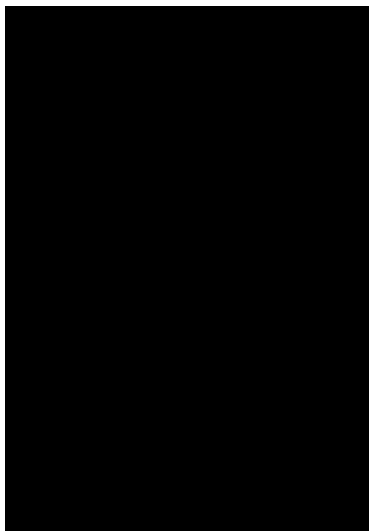


Dimensions



Width	240 mm
Height	191 mm

Technical data



Response time	<25 ns
Number of inputs	1
Type of entry	MC4
Version for	3-pole for PV systems
Pole version	3
Structural width in division units (division unit, 17.5 mm)	Miscellaneous
Operating temperature, max.	80 °C
Operating temperature, min.	-40 °C
Remote signalling	no
Maximum continuous voltage DC	1000
Integrated back-up fuse	no
Lightning protection zone LPZ	1→2
Max. mains-side overcurrent protection	125
Max. PV voltage	1000 V
Maximum back-up fuse	125 A
Maximum discharge current (8/20 µs)	40 kA
Installation type	Pre-mounted in the housing
Nominal discharge current (8/20 µs)	20 kA
Nominal voltage DC	1000 V
Network form	Other
DC network form	no
IT network form	no
Other network form	no
TN network form	no
TN-C network form	no
TN-C-S network form	no
TN-S network form	no
TT network form	no
Test class, type 1	no
Test class, type 2	yes
Test class, type 3	no
Protection rating	IP66

Technical data sheet

PV system solution, type 2, with MC4 connector and switch
disconnecter for inverter with 1 MPP tracker, 1,000 V DC
Item number: 5088501



Technical data

Protection rating IK code	IK05.
Protection level	≤4
Signalling on device	Visual
SPD to EN 61643-11	Type 2
SPD to IEC 61643-1	Class II
Permitted temperature range, max.	60 °C
Permitted temperature range, min.	-25 °C
Depth	125 mm
Number of cable entries	4
Max. Input voltage DC	1000 V
String fuse	Without
Monitoring function	no
Max. Input current per string	30 A
Max. Output current	30 A
Number of string inputs	1
Equipped with load-break switch	no