

Technical data sheet

Support clamp, with pipe seat at side

Item number: 1488445



Support clamp for mounting pipes. Open pipe seat at side. Fastening through knocking onto steel girders.



CE

St	Steel
ZL	Zinc slat

Master data

Item number	1488445
Description 1	Beam clamp
Description 2	with pipe clamp 32 mm
Manufacturer	OBO
Dimension	15-20mm
Material	Steel
Surface	Zinc slat
Surface standard	
Smallest sales unit	50
Unit of quantity	Piece
Weight	3.3 kg
Weight unit	kg/100 pc.

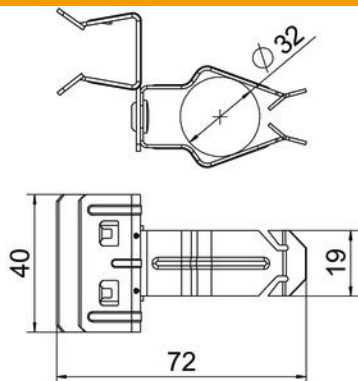
Technical data sheet

Support clamp, with pipe seat at side

Item number: 1488445



Dimensions



Length	72 mm
Width	40 mm
Height	46 mm
Dimension L	72 mm
Maß W	40 mm

Technical data

Connection type/component	Pipe/cable
Fastening type	Clamp
Flange thickness F max.	20 mm
Flange thickness F min.	15 mm
Pipe/cable diameter, max.	35 mm
Pipe/cable diameter, min.	30 mm
Hinge, adjustable	no
Hinged	no