

Technical data sheet

HoverCube VH-4, 3x protective contact socket, 1x CEE 16 A, with compressed air connection
Item number: 6109814



Housing equipped and prewired, with 1 m pipe 1/2" and connection for compressed air hose 13 x 3.5 mm and 2-way distributor 1/2", with suspension lug, grip hook and four cover plates.

Equipped as follows: 3x single protective contact sockets 16 A/250 V with increased touch protection, prewired for an AC current, connection via 1x 3-pin terminal, 1x CEE socket

16 A/415 V, with partition for circuit separation.



PA Polyamide

Master data

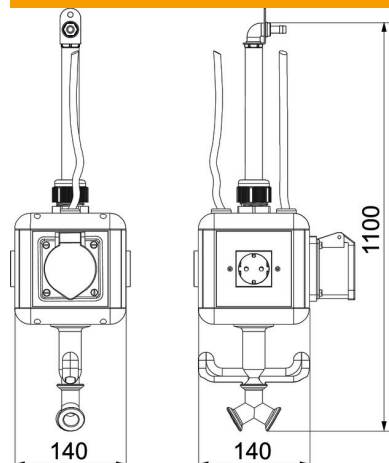
Item number	6109814
Description 1	HoverCube
Description 2	IP20, air, grip, equipped
Manufacturer	OBO
Dimension	140x140x1100
Colour	Graphite black; RAL 9011
Material	Polyamide
Smallest sales unit	1
Unit of quantity	Piece
Weight	380 kg
Weight unit	kg/100 pc.

Technical data sheet

HoverCube VH-4, 3x protective contact socket, 1x CEE 16 A, with compressed air connection
Item number: 6109814



Dimensions



Width	140 mm
Height	1,100 mm

Technical data

Number of SCHUKO sockets	3
CEE socket, 125 A	Without
CEE socket, 16 A	1x16A5p400V
CEE socket, 32 A	Without
CEE socket, 63 A	Without
Supply/connection option	Miscellaneous
FI protection switch	Without
Handling	abhängbar
Military version	no
Protection rating	IP20
Other installations and/or empty slots	0
Depth	196 mm
Number of CEE sockets	1
Number of compressed air connections	2