

Technical data sheet

VA cable bracket for isCon® conductor for mounting on roof/wall structures

Item number: 5408064



- For isCon® conductor for mounting on roof/wall structures
- With sprung discs to protect the screws against loosening



A2 Stainless steel

Master data

Item number	5408064
Type	isCon H 26 VA
Description 1	Cable fixing device
Description 2	for isCon conductor, grey
Manufacturer	OBO
Dimension	Ø26mm
Material	Stainless steel
Smallest sales unit	20
Unit of quantity	Piece
Weight	3.4 kg
Weight unit	kg/100 pc.

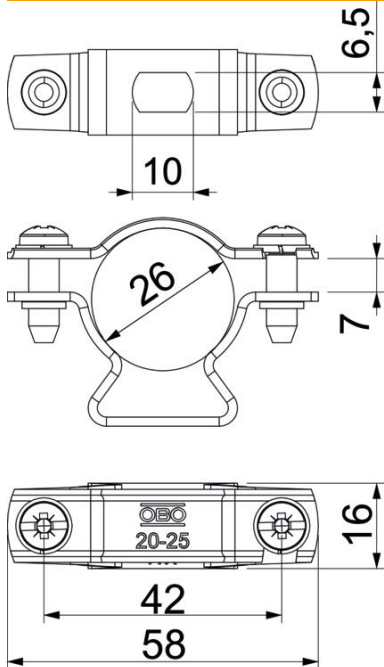
Technical data sheet

VA cable bracket for isCon® conductor for mounting on roof/wall structures

Item number: 5408064



Dimensions



Dimension A	58 mm
Dimension B	42 mm
Dimension d min.	26 mm
Dimension H	37 mm
Dimension L	7 mm
Dimension t	16 mm

Technical data

Cable dimensions	26 mm round
------------------	-------------